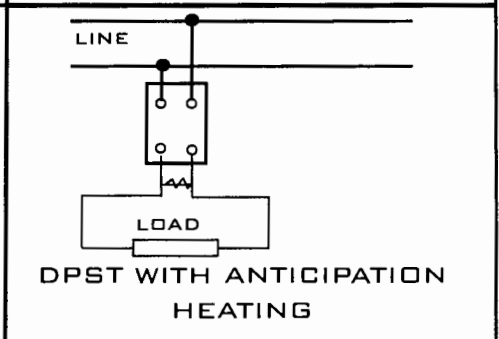
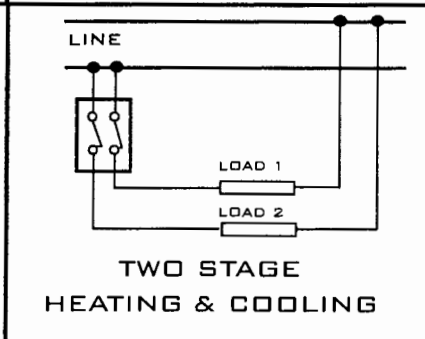
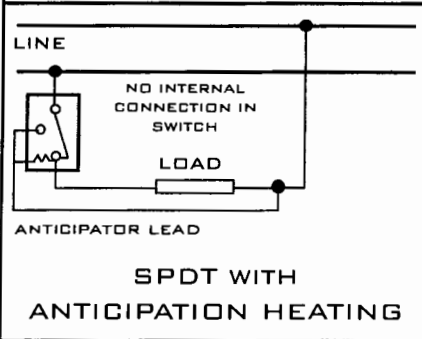
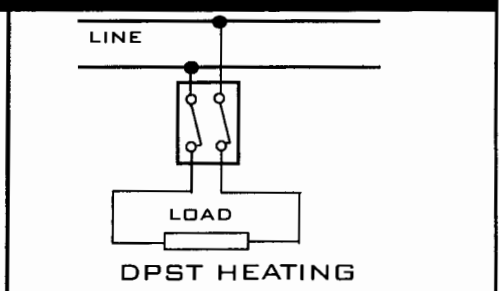
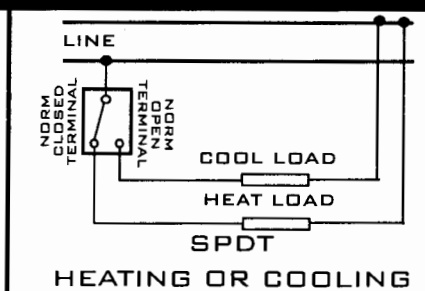
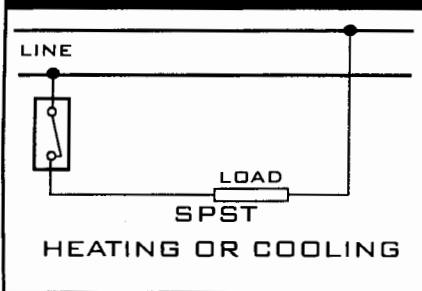


COLUMBUS ELECTRIC

INSTALLATION & INSTRUCTION SHEET LINE VOLTAGE THERMOSTAT - ET SERIES

DESCRIPTION	SPECIFICATIONS
<p>THE COLUMBUS ELECTRIC WALL LINE VOLTAGE THERMOSTAT IS SUITABLE FOR DIRECT CONNECTION WITH ANY RESISTANCE HEATING ELEMENTS AND UNIT HEATERS.</p>	<p>ELECTRICAL RATING 22 AMPS @ 125/277 VAC 3/4 HP @ 125 VAC 1 1/2 HP @ 250/277 VAC</p>
<p>THIS THERMOSTAT HAS A SNAP ACTION SWITCH OPERATED BY A BIMETAL ACTUATOR AND IS AVAILABLE IN SINGLE POLE, DOUBLE POLE WITH POSITIVE OFF, TWO STAGE HEAT, COOLING ONLY AND HEAT OR COOL MODELS. OTHER OPTIONS INCLUDE FACTORY OR FIELD INSTALLED LOCKING KITS FOR TOP AND FOR BOTTOM SETTING AND 6" WIRE LEADS.</p>	<p>DIFFERENTIAL HEAT APPROXIMATELY.....2°F COOLING APPROXIMATELY....4°F HEAT ANTICIPATOR MODEL...1/2°F</p>
<p style="text-align: center;">WARNING</p> <p>IF THIS PRODUCT IS USED TO REPLACE A DEVICE CONTAINING MERCURY, THE PURCHASER OR CONSUMER MUST ENSURE THAT THE MERCURY IS PROPERLY MANAGED TO COMPLY WITH STATE OR FEDERAL REGULATIONS. THE MERCURY MUST NOT BECOME PART OF SOLID WASTE OR WASTE WATER. ADDITIONAL GUIDANCE MAY BE OBTAINED FROM THE MANUFACTURER OF THE PRODUCT BEING REMOVED, OR BY CALLING COLUMBUS ELECTRIC MANUFACTURING COMPANY MATERIALS MANAGER.</p> <p style="text-align: center;">1-800-251-7828</p>	<p>TEMPERATURE RANGE (STANDARD MODELS) SETTING RANGE.....50°F TO 90° HEATING OR COOLING.50°F TO 90° ATTIC FAN CONTROL...90°F TO 135°</p>
	<p>APPROVALS U.L. APPROVED C.S.A. CERTIFIED</p>
	<p>DIMENSIONS 4 3/4 X 2 3/4 X 2 3/4 H W D</p>

INSTALLATION / OPERATION



COLUMBUS ELECTRIC MANUFACTURING

OPERATION & INSTALLATION MANUAL

EP-ETD-8D
EP-ETD-8S

DPDT HEAT/COOL
SPDT HEAT/COOL

EXPLOSION PROOF THERMOSTAT

The Columbus Electric Explosion Proof Thermostat is designed to control heating only, cooling only, heating and cool or ventilation systems in oil refineries, grain elevators, munition plants, hospital operating rooms and other hazardous locations.

The switch mechanism is enclosed in a 1/2" thick cast aluminum case which is dust proof and dust resistant. A reliable sensing element provides accurate response to temperature change and does not require leveling during installation.

The casing is tapped top and bottom for 3/4" conduit, a 1/2" adaptor is provided.

SPECIFICATIONS

Electrical Rating: 22 Amp 125-277 VAC
3/4 HP at 125 VAC
1 1/2 HP 250/277 VAC

Dimensions: 5.62" x 6.37" x 4.43"
Approvals: U.L. AND C.S.A.
Class I Groups C & D
Class II Groups E, F, & G

Differential: Heat: 2°F/Cool: 4°F

Temp Set Range: 50°F to 90°F

INSTALLATION

ALL WIRING MUST COMPLY WITH NFPA-70(NEC), LOCAL CODES AND ORDINANCES:

Locate the thermostat approximately five feet (5') above the floor in a location that will sense the average temperature of the area to be controlled. Do not mount the thermostat adjacent to water pipes, in drafty areas, or other locations that would adversely affect the operation of the thermostat.

- 1) Remove the cover of the thermostat and set it aside. Exercise care not to mar the mating surface or damage the temperature sensing/operating components. CAUTION: Marring of the mating surfaces of the enclosure could destroy the integrity of the seal causing an unsafe condition during operation of the thermostat.
- 2) Mount the thermostat base on the surface selected. See Fig. 1 for dimensions.
- 3) The base is tapped for 3/4" conduit; a 1/2" conduit adaptor and a 3/4" plug is provided. Two openings are provided. Unused openings must be properly plugged, with plugs provided, prior to applying power to the unit.
- 4) Connect the conduit to the mounted base and place the required wire into the base.
- 5) Connections are to be made to the switch terminals on the cover, see Fig. 2. The cover can then be installed to the base and securely fastened utilizing the four (4) mounting screws. Immediately prior to assembly, inspect the mating surfaces of the cover and enclosure. Do not connect if surfaces are uneven or gaps exist between the cover and enclosure. Install the four (4) cover screws to enclosure and TIGHTEN TO A MINIMUM OF 40 INCH POUNDS.
- 6) The installer must seal each conduit run within 18" of the thermostat enclosure. This seal must be a suitable listed hazardous location fitting.

DIAGRAMS

FIG 1

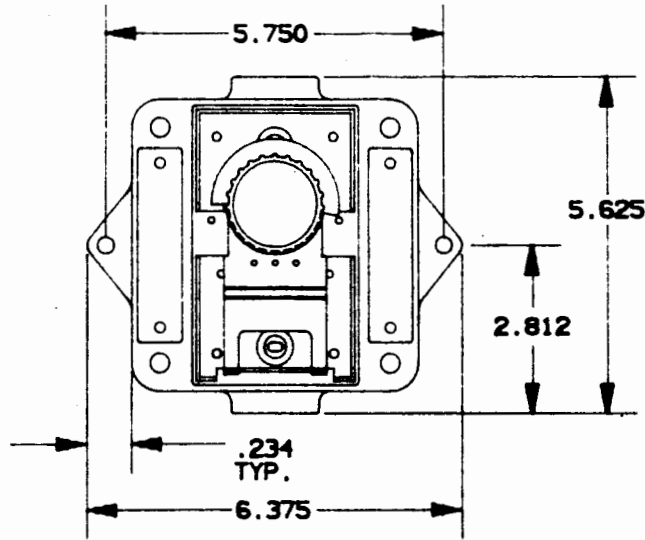
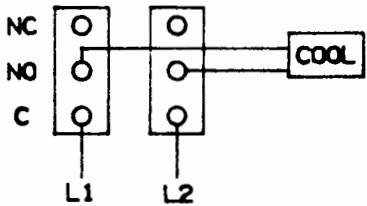
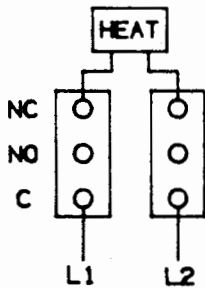
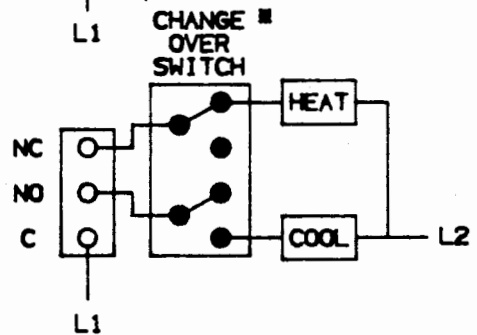
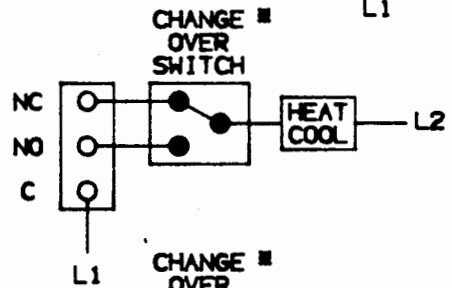
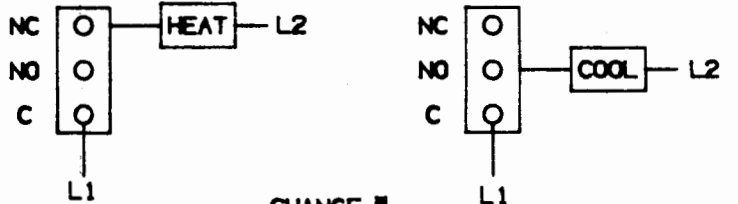


FIG 2 TYPICAL WIRING DIAGRAMS

EP-ETD-8D



EP-ETD-8S



* TO BE PROVIDED BY INSTALLER

P.O. BOX 4973, JOHNSON CITY, TENNESSEE 37602